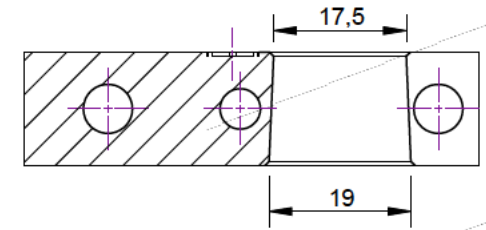
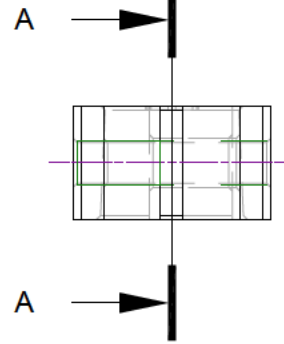
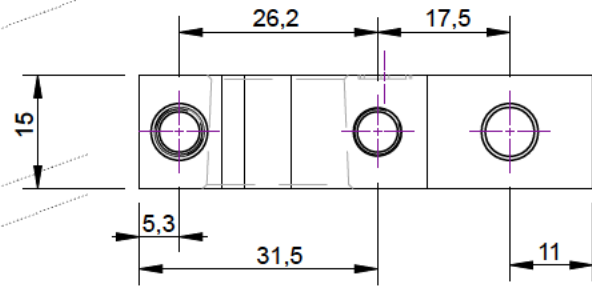


1	2	3	4	5	6
RevNo	Revision note			Date	Signature
					Checked

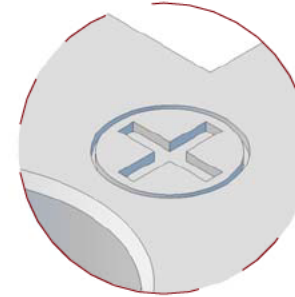
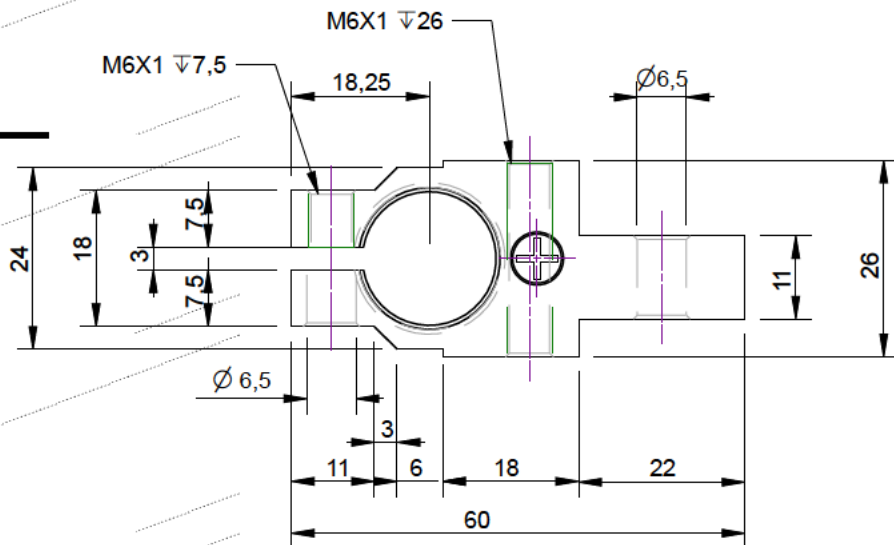
A



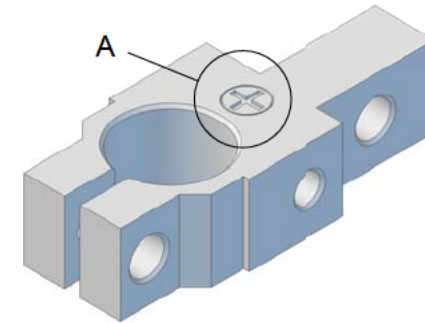
Section A-A

B


C



Detail A



D

Itemref	Quantity	Material: Tinned brass	Article No./Reference
			Scale 1:1
		Battery terminal + 50mm2	
		Art. no: BTMC 2550 P TP	Edition 1
			Sheet 1 / 3

1

2

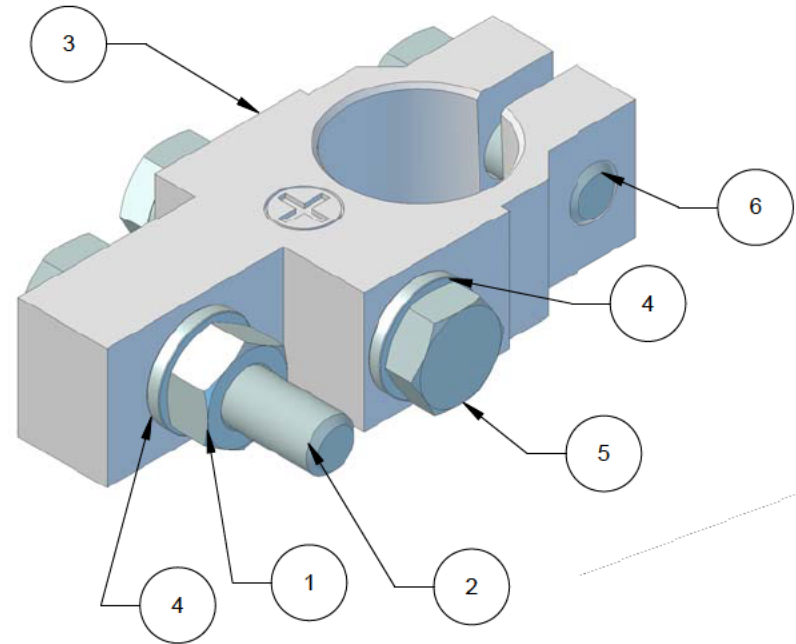
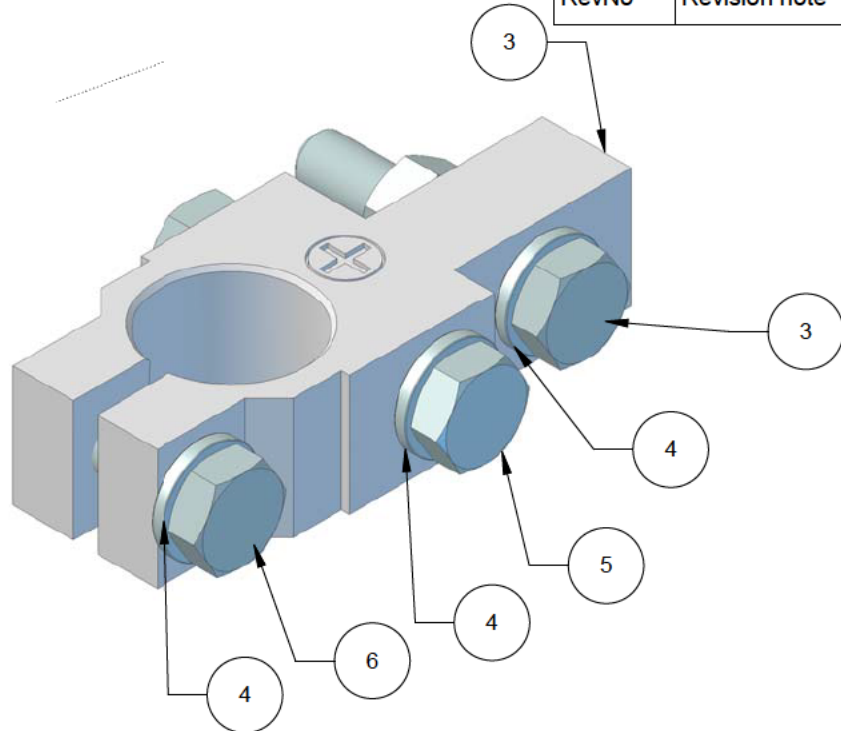
3

4


5

6

RevNo	Revision note	Date	Signature	Checked
-------	---------------	------	-----------	---------



Item Number	Quantity	Part Number	Part Name	Revision	Comment
1	1		M6 nut stainless		M6X1
2	1		M6X30 stainless steel bolt		M6X1
3	1		5031252		
4	5		M6X12 washer stainless		
5	2		M6X12 stainless steel bolt		M6X1
6	1		M6X20 stainless steel bolt		M6X1

Itemref	Quantity	Material: Tinned brass	Article No./Reference
			Scale 1,5:1
 Electrical solutions		Battery terminal + 50mm2	
		Art. no: BTMC 2550 P TP	Edition 1      Sheet 2 / 3

1

2

3

4

5

6

RevNo Revision note

Date

Signature

Checked

A

B

A

B



**Install the bolts, washers and nuts, exactly as the picture shows**

C

C

D

D

1

2

3

4

5

6