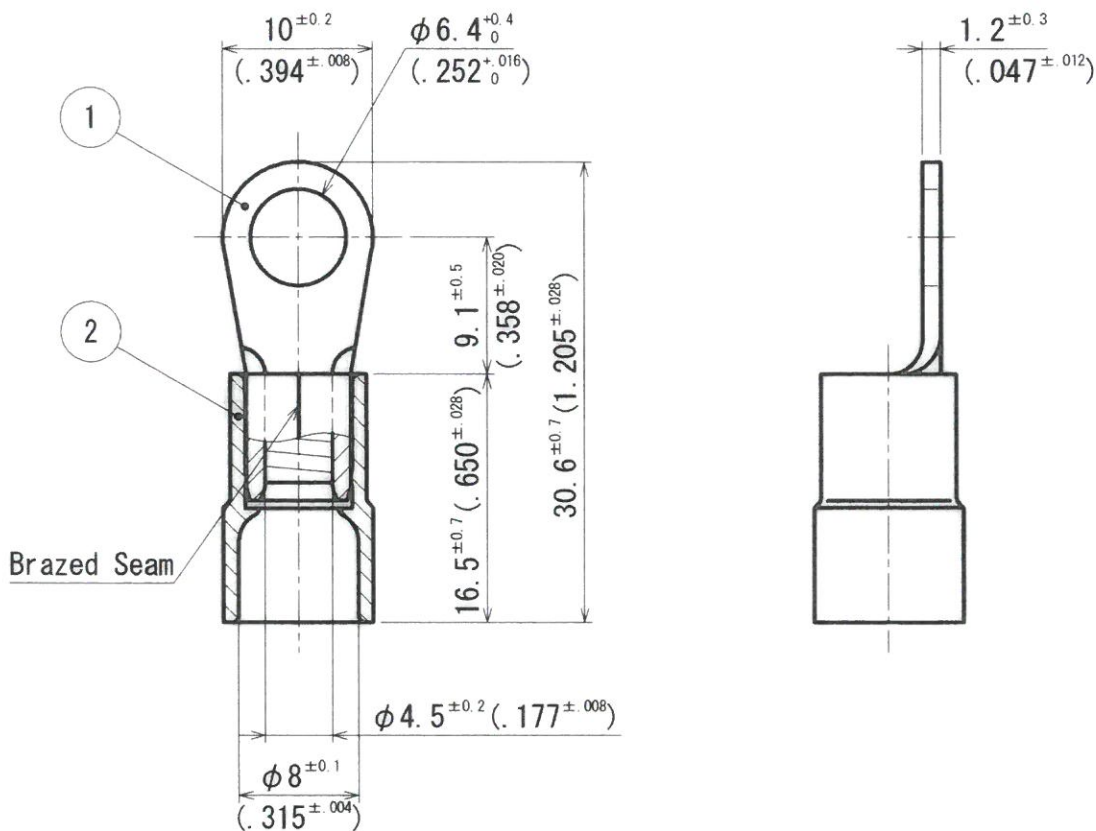


No.	Date	Revision Record	Drawn	Check
-----	------	-----------------	-------	-------



Note: Dimensions in mm
 () dimensions in inchs.



No.	Parts Name	Material	Thick	Q'ty	Treatment	Wire Size
2	Insulator	Nylon		1		
1	Terminal	Copper	t=1.2 (.047)	1	Tin Plated	8AWG 6.64-10.52mm ²

Messrs.					Part Number	TMEN 8-6S
Scale	Approved	Checked	Design	Drawn	Title	Insulated Ring Terminal
2					Drawing No.	05-01222-00
	K. Hamada	M. Nakazato	S. Teramoto	A. Kawaguchi	Revision No.	0
Date		January 15, 2021				

