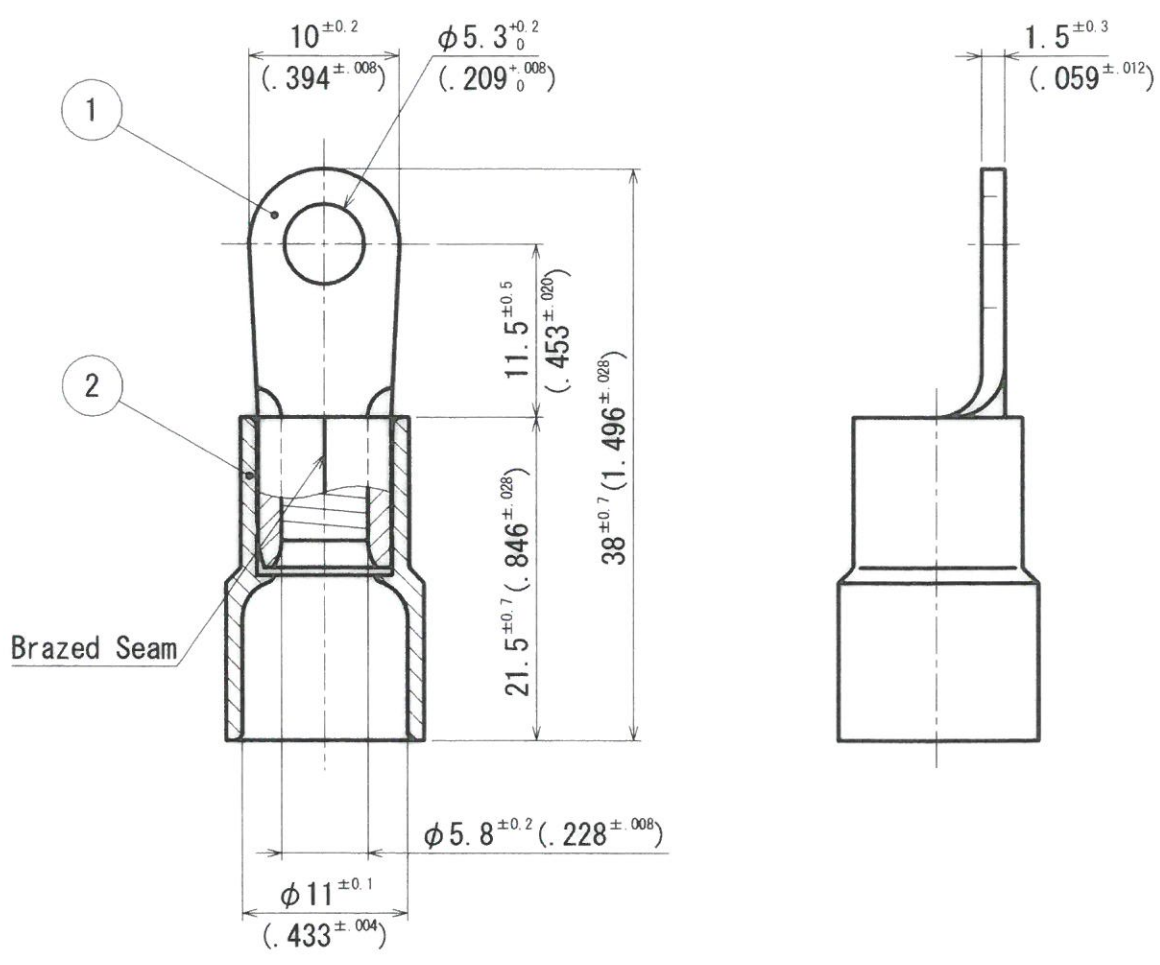


No.	Date	Revision Record	Drawn	Check
-----	------	-----------------	-------	-------



Note: Dimensions in mm
() dimensions in inchs.

2	Insulator	Nylon		1		
1	Terminal	Copper	t=1.5(.059)	1	Tin Plated	6AWG 10.52-16.78mm ²
No.	Parts Name	Material	Thick	Q'ty	Treatment	Wire Size

Messrs.				Part Number	TMEN 14-5S
Scale	Approved	Checked	Design Drawn	Title	Insulated Ring Terminal
2	<i>[Signature]</i>	<i>M. Nakazato</i>	<i>A. Kawaguchi</i>	Drawing No.	05-01223-00
1	K. Hamada	M. Nakazato S. Teramoto	A. Kawaguchi A. Kawaguchi	Revision No.	0
Date		January 15, 2021			

