

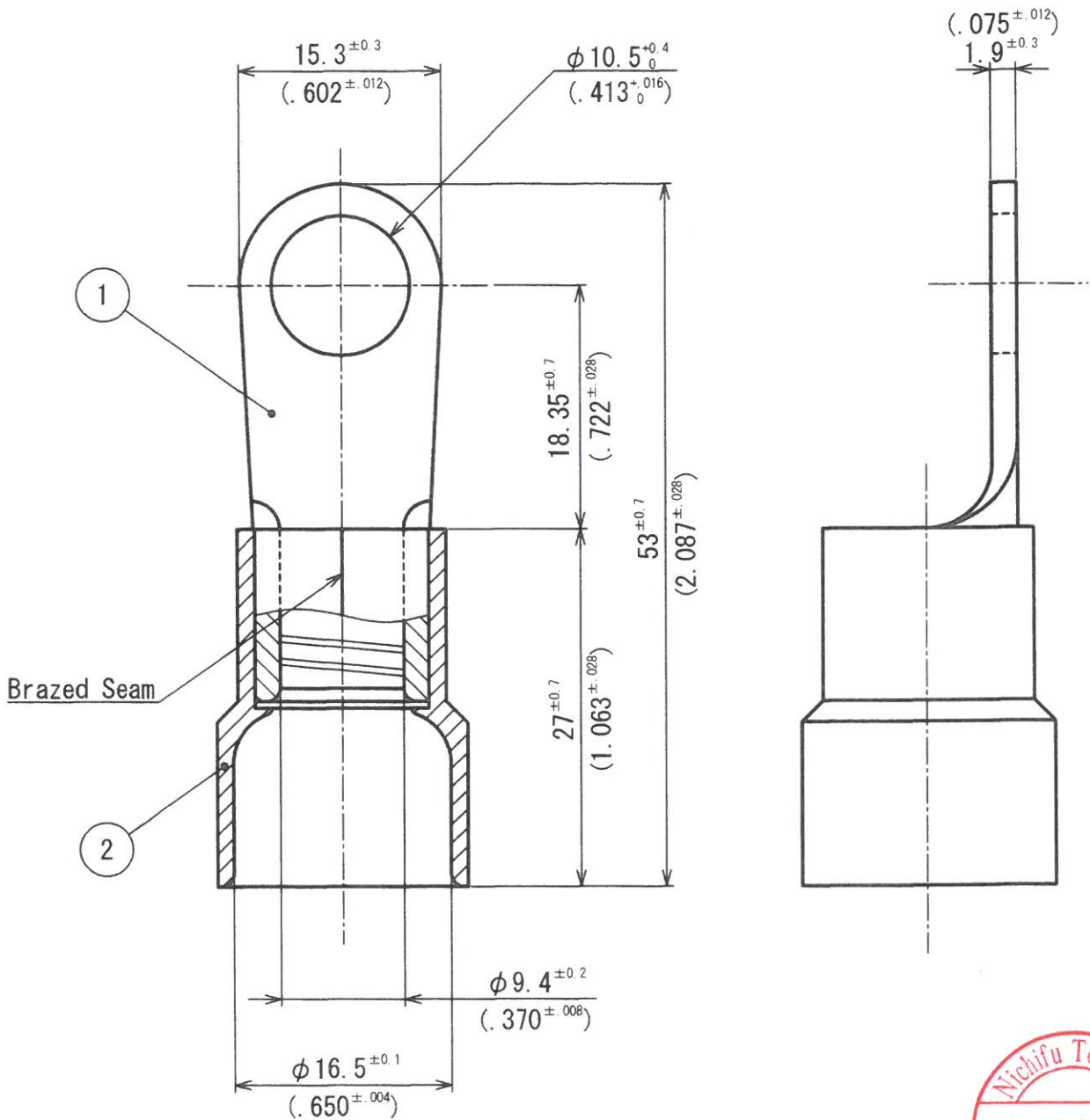
1

2

3

4

No.	Date	Revision Record	Drawn	Check
-----	------	-----------------	-------	-------



Note : Inch Dimension Shown In () .

2	Insulator	Nylon		1			
1	Terminal	Copper	t=1.9(.075)	1	Tin Plated	2AWG 26.66~42.42mm ²	
No.	Parts Name	Material	Thick	Q'ty	Treatment	Wire Size	

Messrs.						Part Number	TMEN 38-10S
Scale	Approved	Checked		Design	Drawn	Title	Insulated Ring Terminal
2	<i>K. Hamada</i>	<i>H. Miyata</i>	<i>M. Nakazato</i>	<i>S. Teramoto</i>	<i>m. tatsumi</i>	Drawing No.	05-01160-00
1	K. Hamada	H. Miyata	M. Nakazato	S. Teramoto	M. Tatsumi	Revision No.	0
Date		2017. 10. 27					