

# **USER MANUAL**

**MODEL: LA6060-1180, LA6060-1480**

**REV: REV: 2.0**

# Contents

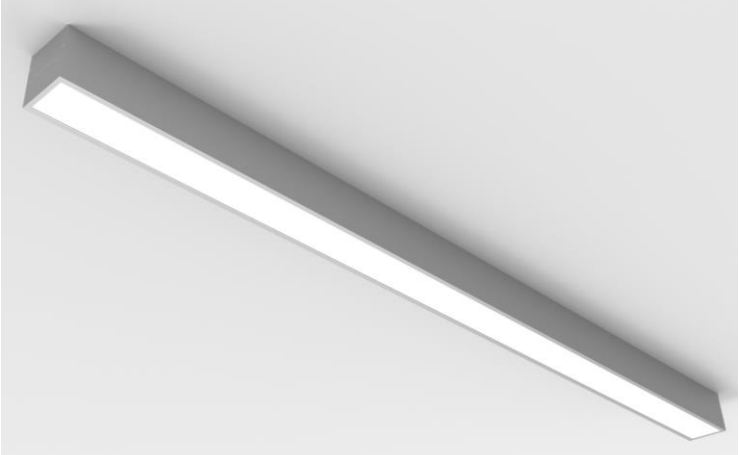
<b>1. Features</b>	<b>3</b>
<b>2. Product Specification</b>	<b>3</b>
<b>2.1 Electronic Specifications</b>	<b>3</b>
<b>2.2 Light Distribution</b>	<b>4</b>
<b>3. Operating Features</b>	<b>4</b>
<b>4. Installation Method and Steps</b>	<b>4-9</b>
<b>5. Emergency</b>	<b>9</b>
<b>6. Packing</b>	<b>10</b>

# 1. Features

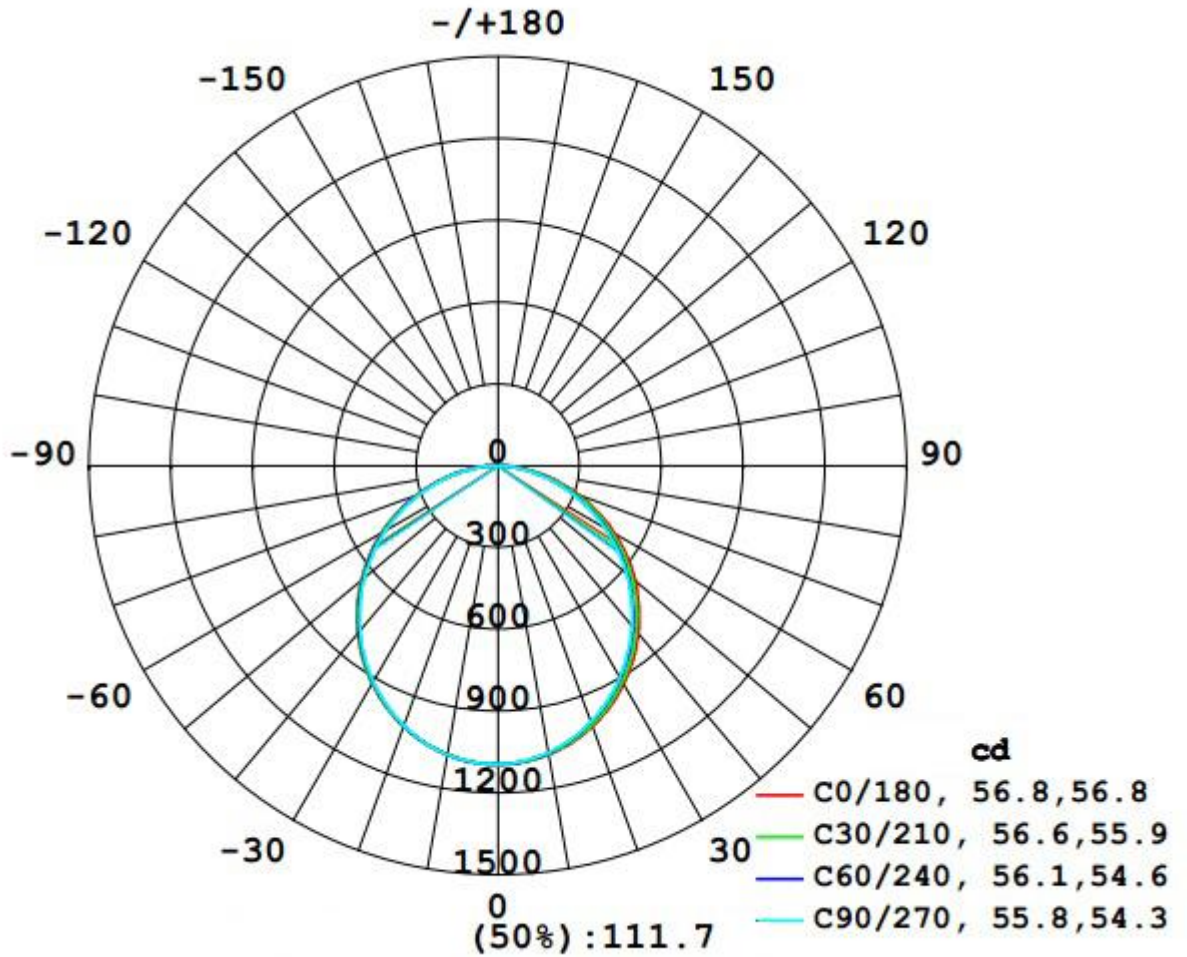
- All aluminum for easy heat radiation.
- Constant current driving mode with P.F.C correction design.
- High efficiency high CRI SMD.
- Rhombohedral plate, diffuser plate, various ways of releasing light
- Support direct mounting, gap mounting or pendant installation..
- Removable end cap. Supports in-line installation and can be used as cable duct.
- Can be delivered with following drivers: 0-10V, Trailing Edge and DALI.

## 2. Product Specifications

### 2.1 Electronic Specification

Picture		
Article No.	LA6060-1180	LA6060-1480
Input voltage	220-240VAC 50/60Hz	220-240VAC 50/60Hz
Input power	26W. Trailing Edge & Dali. 32W. 0-10V	36W. Trailing Edge & Dali. 46W. 0-10V
LM	2800lm. Trailing Edge & Dali. 3800lm. 0-10V	3800lm. Trailing Edge & Dali. 4800lm. 0-10V
Color Temp	3000K±200K	3000K±200K
Beam angle	110°	110°
CRI	>80	>80
Material	6063 ALU + PMMA	6063 ALU + PMMA
Size	L: 1182±2mm W: 60±0.5mm H: 60±0.5mm	L: 1482±2mm W: 60±0.5mm H: 60±0.5mm
Weight	1.9±0.1kg	2.2±0.1kg
IP Class	20	20

## 2.2 Light distribution curve.



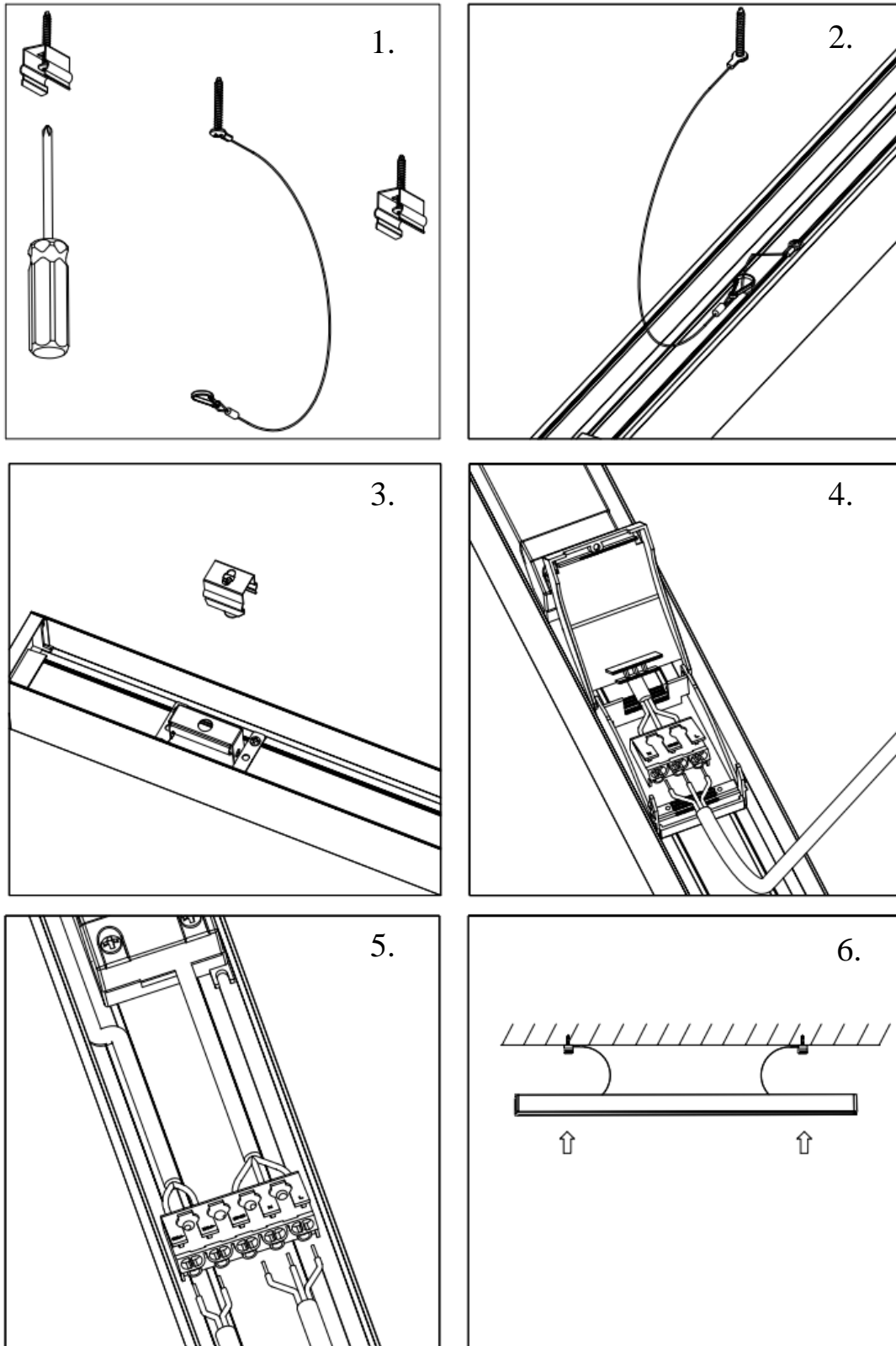
## 3. Operating features.

Surface Temp.	within environment temp +10°C
Storage Temp. Range	-10°C ~ 40°C
Operating Temp. Range	-20°C ~ 40°C
Lifespan(HRS)	30.000hrs (30% Decay Rate)

## 4. Installation Method and Steps

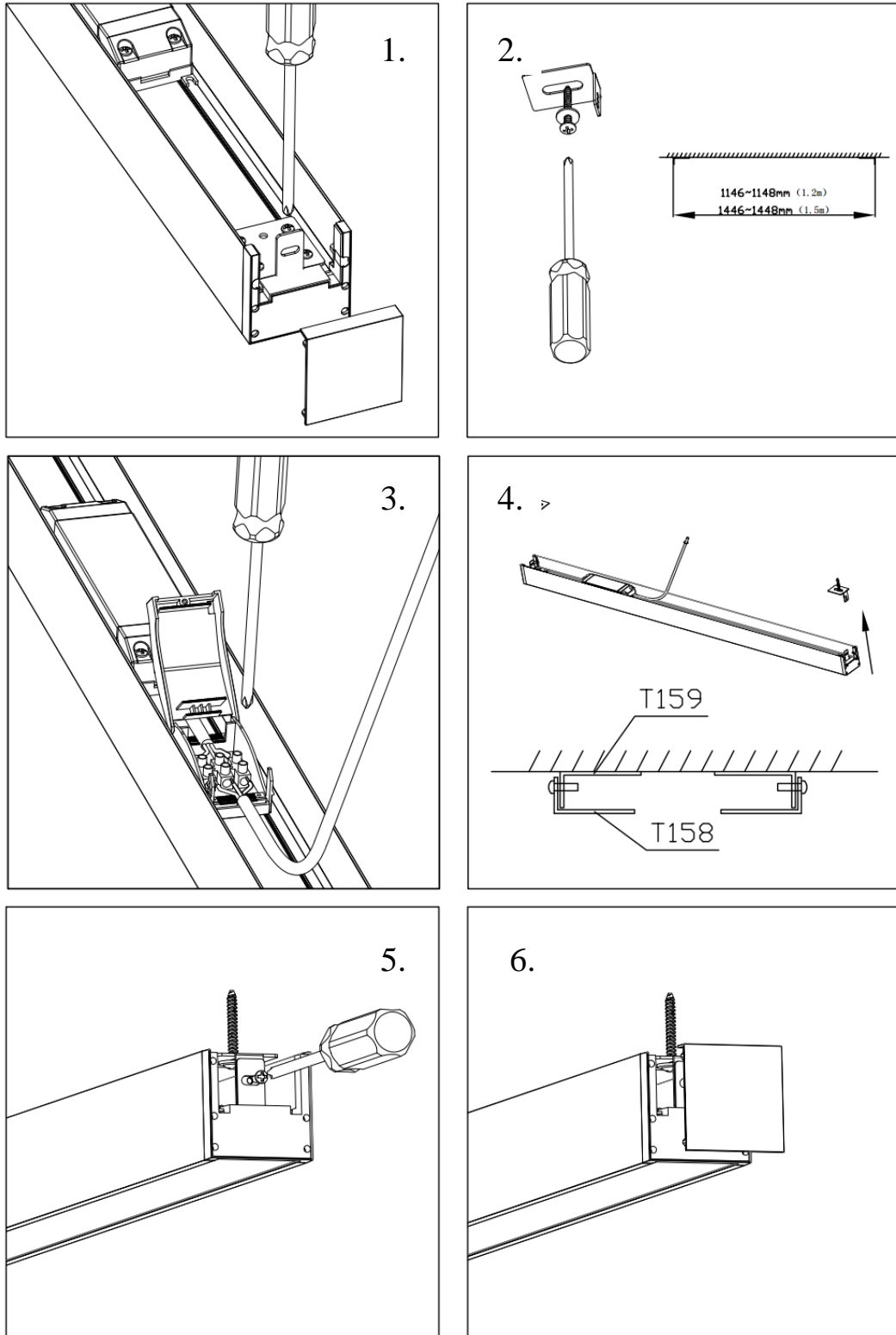
### 4.1 Surface mount

#### 4.1.1 Surface mount (standard)



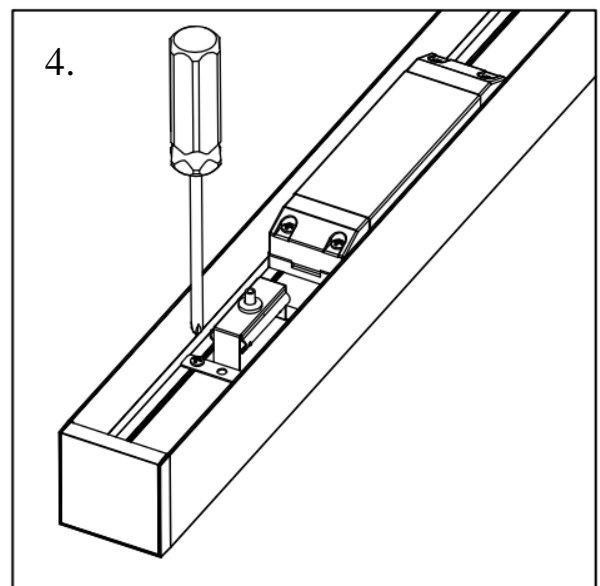
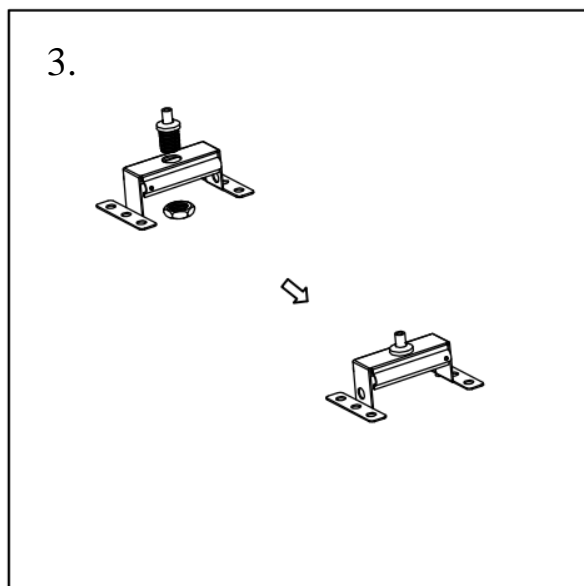
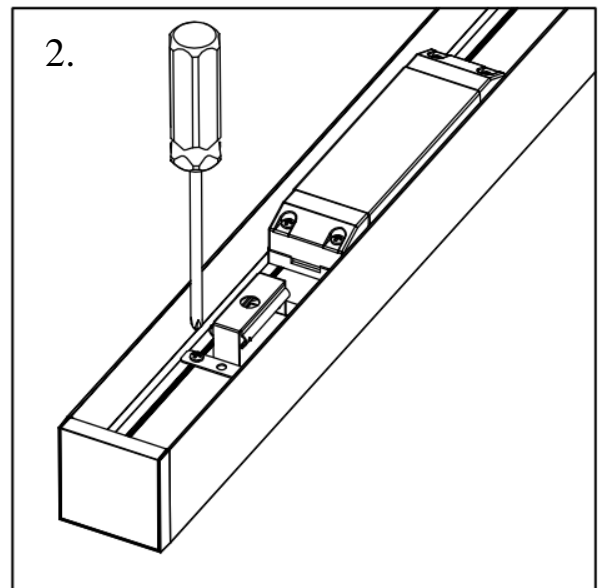
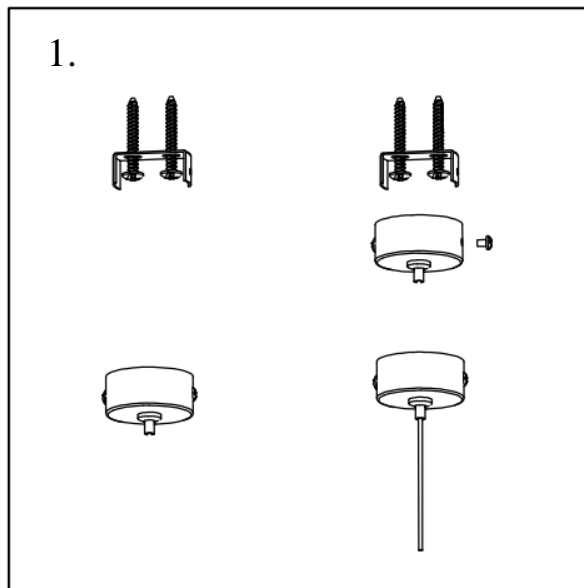
- Install fittings and the security wire rope to the ceiling, distance between two T165 center is: 850-920mm for 1.2m lamp & 1150-1220mm for 1.5m lamp. (Figure 1)
- Connect the other end of security wire rope to the lamp. ( Figure 2)
- Connect the input cable to the terminal in the junction box. (Figure 3)
- Click lamp into ceiling holder.

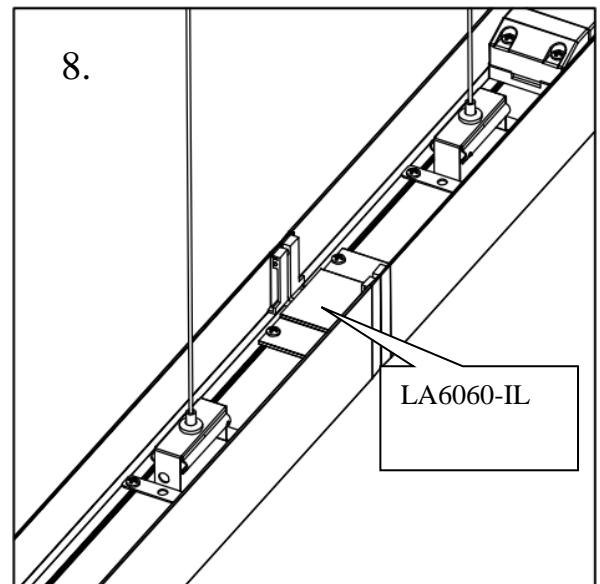
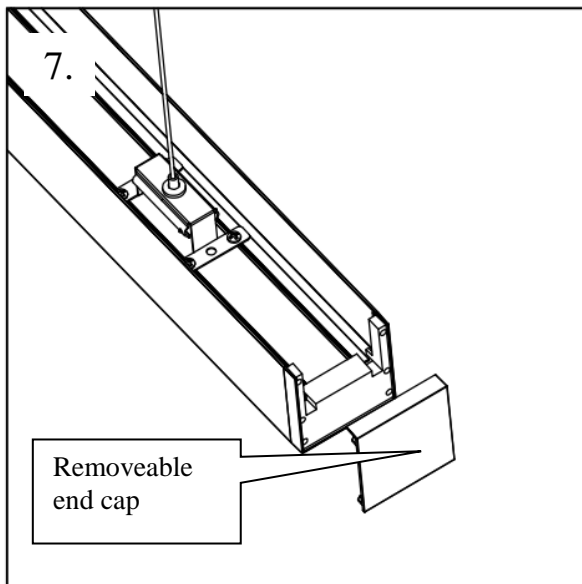
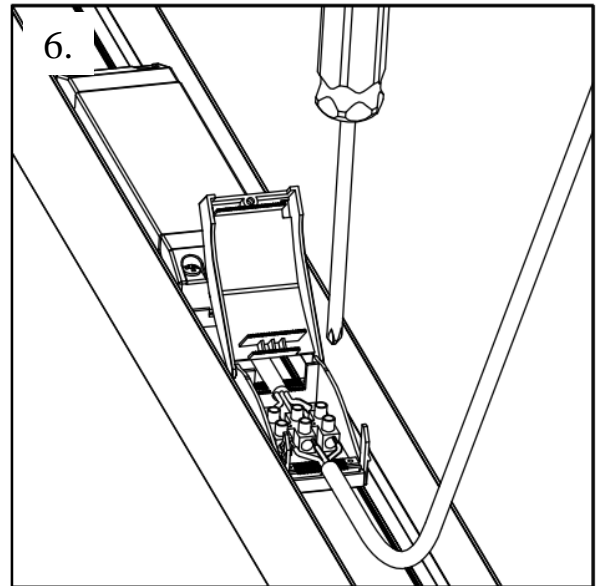
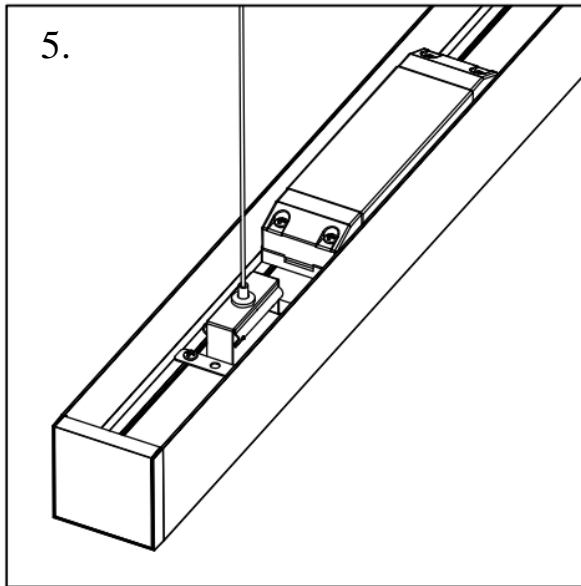
#### 4.1.2 Surface mount with 2x L-brackets (option LA6060-LB)



- Remove end cap.
- Screw L-bracket to ceiling, the distance between the outer walls of the two lamp brackets should be: 1146-1148mm for 1.2m lamp & 1446-1448mm for 1.5m lamp. (Figure 2).
- Connect AC power to lamp terminal. (Figure 3)
- Lift lamp up, fix T159 to T158. (Figure 4 & 5)
- Put end cap back to the lamp. (Figure 6)

### 4.3 Pendant installation





- Fix the holder to ceiling, and put steel wire through the holder. (Figure 1)
- Dis assemble T164 which is pre-assembled to lamp(Figure 2)
- Fix steel wire to T164 (Figure 3)
- Screw T164 fittings back.
- Put steel wire(one end already fixed to ceiling) through T164, adjust wire length to make the lamp horizontal.
- Connect the input power cable to lamp terminals.(Figure 6)
- Remove the joint end cap when install 2 lamps installed in a line.(Figure 7)
- Use LA6060-IL to stabilize 2 lamps when installed in-line.(Figure 8)

#### 4.4 Notice

- This lamp is only for indoor installation.
- Turn power off before installation.
- Confirm same voltage as indicated on lamp.



## **5. Emergency**

### **5.1 Mal function**

- Check input AC voltage
- Check AC switch is normal
- Please consult supplier.

### **5.2 Smoke, burning smell, flaring or noise**

- Please turn off AC power immediately and consult supplier.

## 6. Packing



Article No.	LA6060-1200	LA6060-1500
Carton size mm	1206*277*216	1508*277*216
Inner box size mm	1190*64*64	1490*64*64
Qty/Ctn pcs	12	12
KG/Ctn	23.5±0.5	27±0.5