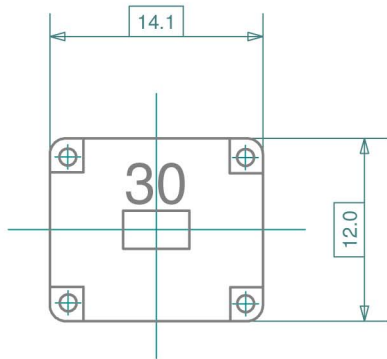
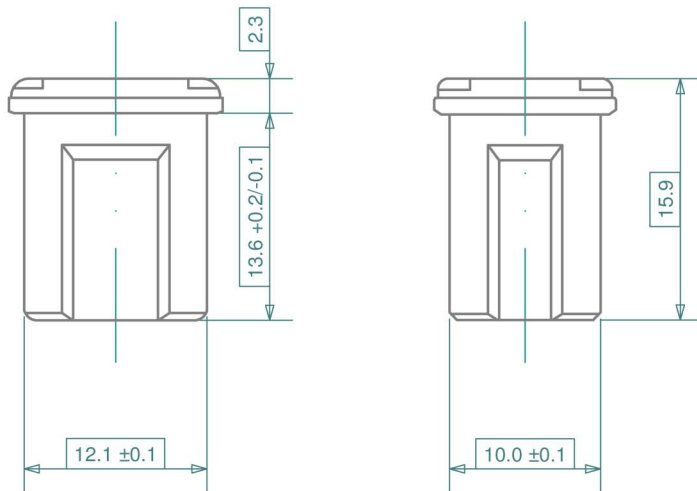


A



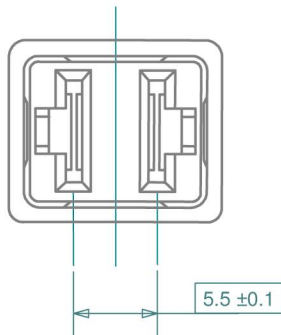
Rating [A]	Volt [V]	Color
20	58	light blue
25	58	natural
30	58	pink
40	58	green
50	58	red
60	58	yellow

B



C

D



E

Revisions			Drawn	Date	Appr.
a	08/07	re-drawn	GRH	10/05	
b	03/08	L025JLP added	BE	05/17	
c	05/17	added rated voltage	AdH	05/17	



F

Scale	2 : 1	Title	L - JLP series, japOTO SlowBlow fuse
Projection		Drawing type	schematic
Tolerance	± 0.2 mm unless otherwise noted	Drawing number	L - JLP drawing 1
		Sheet	1 of 1
		Layers / Sheet	0 1 2 6 8 9 Sheet 01