

15 Spare Parts List & Pneumatic Diagram

15.1 Exploded View Drawing

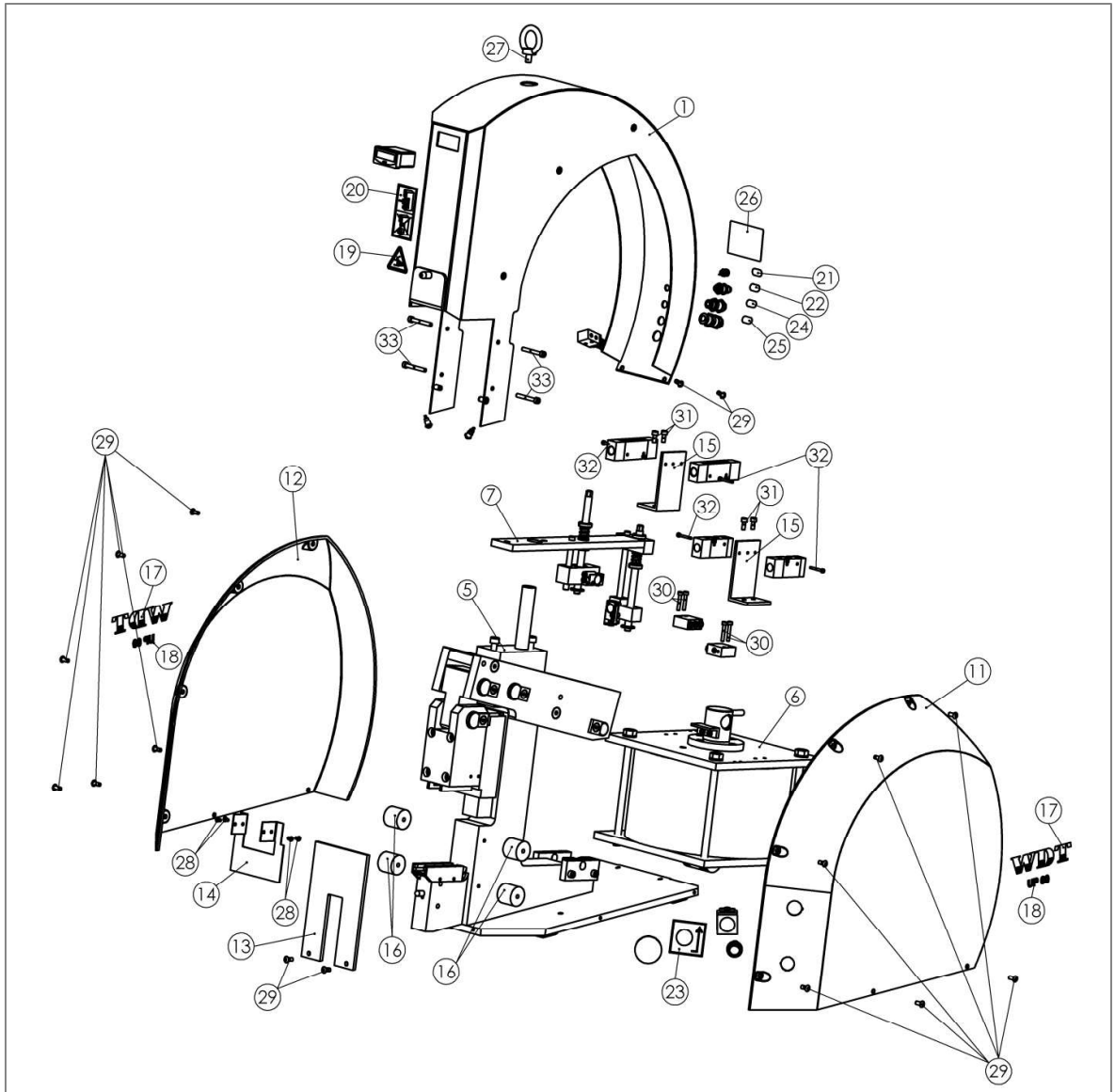


Fig. 15.1

15.2 Parts List Exploded View Drawing

Item-No.	Pieces	Article-No.	Description
1	1	1481-28004	Cover complete
2	1	1481-28003	Finger protection complete
3	1	1481-28006	Pneumatic complete UP 60
4	1	1481-28001	Electric complete UP 60
5	1	1481-03022	Machine frame
6	1	1481-28002	Pneumatic Cylinder Ø220
7	1	1481-28005	Adjusting unit
8	2	8480-81015	Hex. socket screw M8x20 DIN912
9	1	2481-03095	Feed socket
10	1	8480-97017	Hex. Socket set screw M8x 25 DIN913
11	1	2481-03002	Cover right
12	1	2481-03003	Cover left
13	1	2481-03013	Front Guard
14	1	2481-03016	Cover feeder
15	2	2481-28005	Valve angle
16	4	2481-03128	Side cover adapter
17	2	5480-81027	Label „WDT“ red
18	2	5481-03001	Label „UP 60“ black
19	1	5480-81005	Adhesive Label „Warnung Handverletzung“
20	1	5480-88002	Label "Hinweis Fingerschutz"
21	1	5481-03002	Label „DC“
22	1	5481-03003	Label „A“
23	1	5481-03007	Label "Release"
24	1	5481-03005	Label „P2“
25	1	5481-03004	Label „P1“
26	1	4481-28100	Machine identification label WDT
27	1	8480-88006	Eye bolt M8-BN258
28	4	8170-03001	Lens head screw M4x6
29	16	8481-02008	Lens head screw M5x12 (galvanized blue)
30	4	8333-19001	Hex. socket screw M4x25 DIN912
31	4	8480-81039	Hex. socket screw M5x12 DIN912
32	4	8480-89010	Hex. socket screw M3x25 DIN912
33	4	8480-99126	Hex. socket screw M5x40 DIN912

The repair of the machine has to be executed by trained personnel. Please contact the producer or distributor of the machine!

Service address:

WEZAG GmbH
 Werkzeugfabrik
 Wittigstraße 8
 35260 Stadtallendorf

Telephone: +49 6428 704-0