

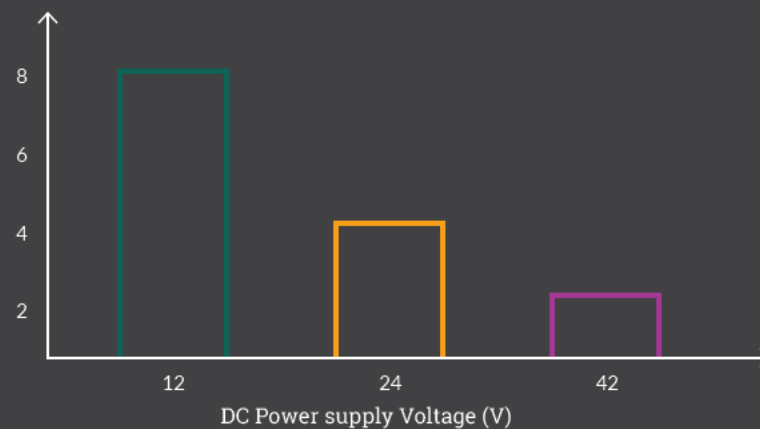
- Compatible with all constant voltage LED drivers or power supplies
- Compatible with most constant current drivers, but must be tested before commissioning

## TECHNICAL SPECIFICATIONS

### Electrical specifications

Normal Operating Voltage	9VDC – 48VDC
Minimum Operating Voltage	9VDC
Dimming Method	Digital (10 bit)
Dimming Range	0.7% – 99.9%
Max. Wire Resistance (bell-press control)	50kΩ
Minimum Load Power	No Minimum load
Maximum Load Power	96W
Maximum Load Current (See graph below)	8A @ 12VDC 4A @ 24VDC 2A @ 48VDC

Maximum LED Current vs DC Supply Voltage



Line Regulation	Directly proportional to supply voltage
Voltage Drift	Nil with steady input voltage
No-load current	< 10mA
Retain Memory	Yes
Brown-Out Protection	Yes
High Frequency transient protection	Yes, up to 500VDC
Reverse Polarity Protection	Yes
Surge Protection	Yes, up to 500VDC
Overload Protection	Yes, in combination with approved power supply
Load Types	Optimized for constant voltage LED lamps and modules Compatible with resistive loads <b>Not</b> for use with inductive loads (motors etc.)

## TECHNICAL SPECIFICATIONS continued

### Power supply requirement

#### AC/DC or DC/DC power supply

Power supply must be CE and IEC 61347-2-13 compliant  
 Power supply output voltage must meet the load voltage requirement  
 Power supply Max. output power must not exceed 105W

#### Battery Supply

In-line fuse must be used  
 Only 12VDC and 24VDC batteries are specified  
 Battery voltage must meet the load voltage requirement  
 Fuse rating: 8A for 12VDC battery and 4A for 24VDC battery

### Load compatibility and maximum ratings

#### Constant VOLTAGE power supplies/drivers

Compatible  
 9-48VDC, 96W max

#### Constant CURRENT power supplies/drivers

Compatible with most, but must be tested  
 9-48VDC, 96W max

#### Wire Wound, Inductive, Fluorescent & CFL

NOT Compatible

### Software features

Microprocessor Control	Yes
Soft start	Yes
Bell-press Control	Continuous cycling
Minimum Intensity Control	Yes
Memory	Yes, returns to previous dimming when turned on

### Environmental

Operating Temperature	-5 – +40°C
Storage Temperature	-30 – +80°C
Maximum Housing Temperature	65°C
Relative Humidity	90% (non condensing)
Enclosure	36 x 36 x 12mm Plastic

### Conformity

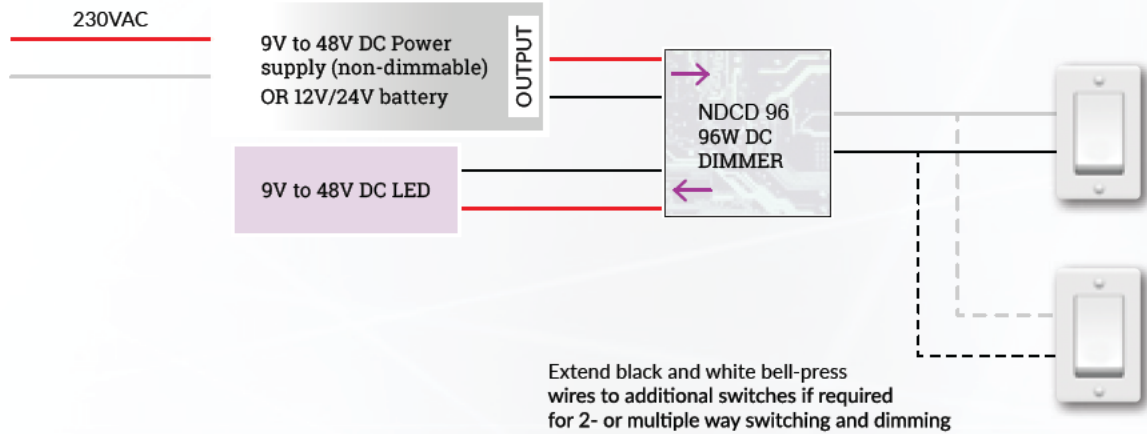
EMC and Immunity	CISPR 15 (2018 ED 9.0), CISPR 32 (2015 ED.2.0), IEC 61547 (2009)
Safety	IEC 61347-2-13:2014/AMD1:2016 used in conjunction with IEC 61347-1:2015
Quality Management	ISO 9001:2015

## INSTALLATION INSTRUCTIONS

- Installation must be carried out by a qualified and registered electrician
- Installation must be carried out in accordance with the local code of practice
- Wire the DC power supply to the Input terminal
- Wire the load to Output terminal
- Wire a normally open (N.O.) bell-press switch to the control wires
- Never connect any of the terminals or control wires to mains live, neutral or earth
- Install only one dimmer per wall box
- Internal use only
- Do not install or operate close to flammable materials
- **Shielded wire must be used for multiple connected dimmers if the distance between dimmers exceeds 3m**

## WIRING DIAGRAMS

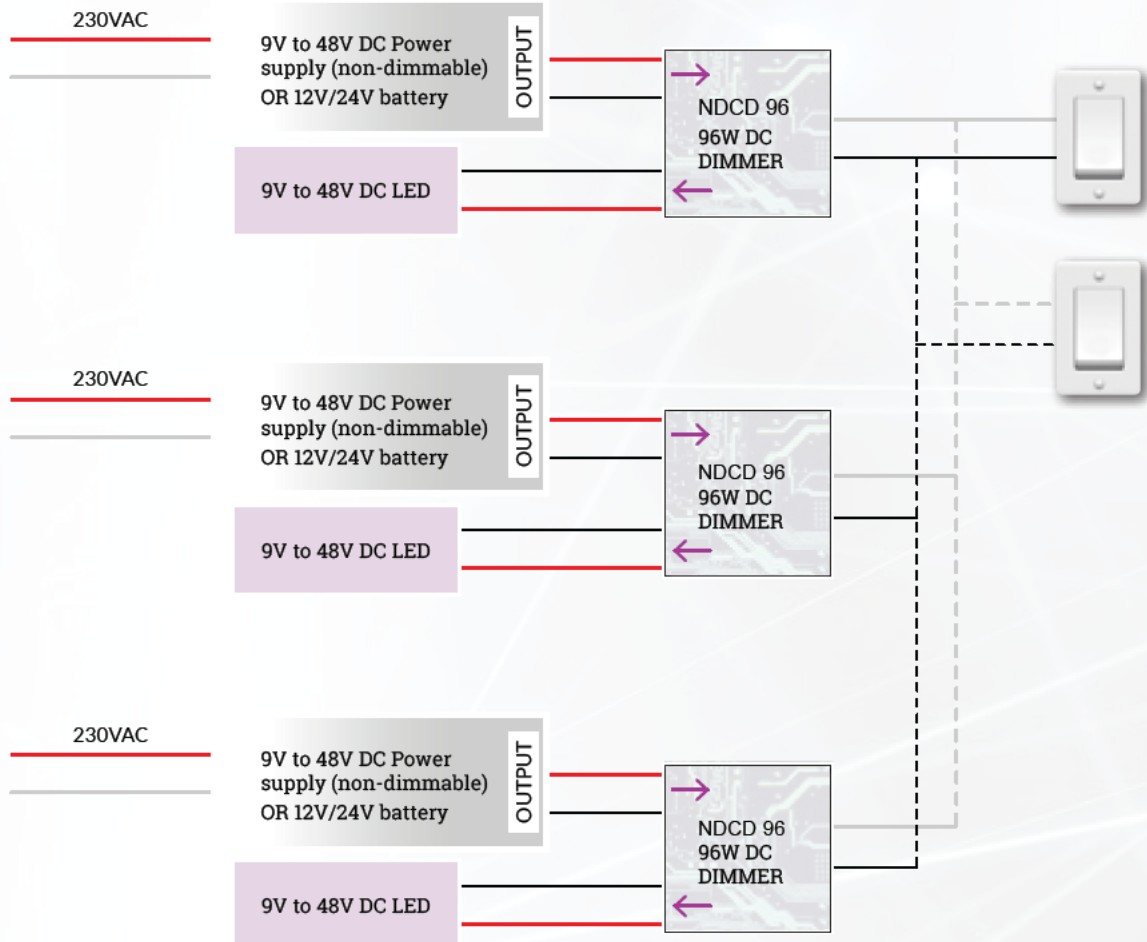
### Single dimmer installation



### Multiple dimmer installation

(master/slave operation - one dimmer per power supply)

Double click switch to synchronise dimmers and activate master/slave operation





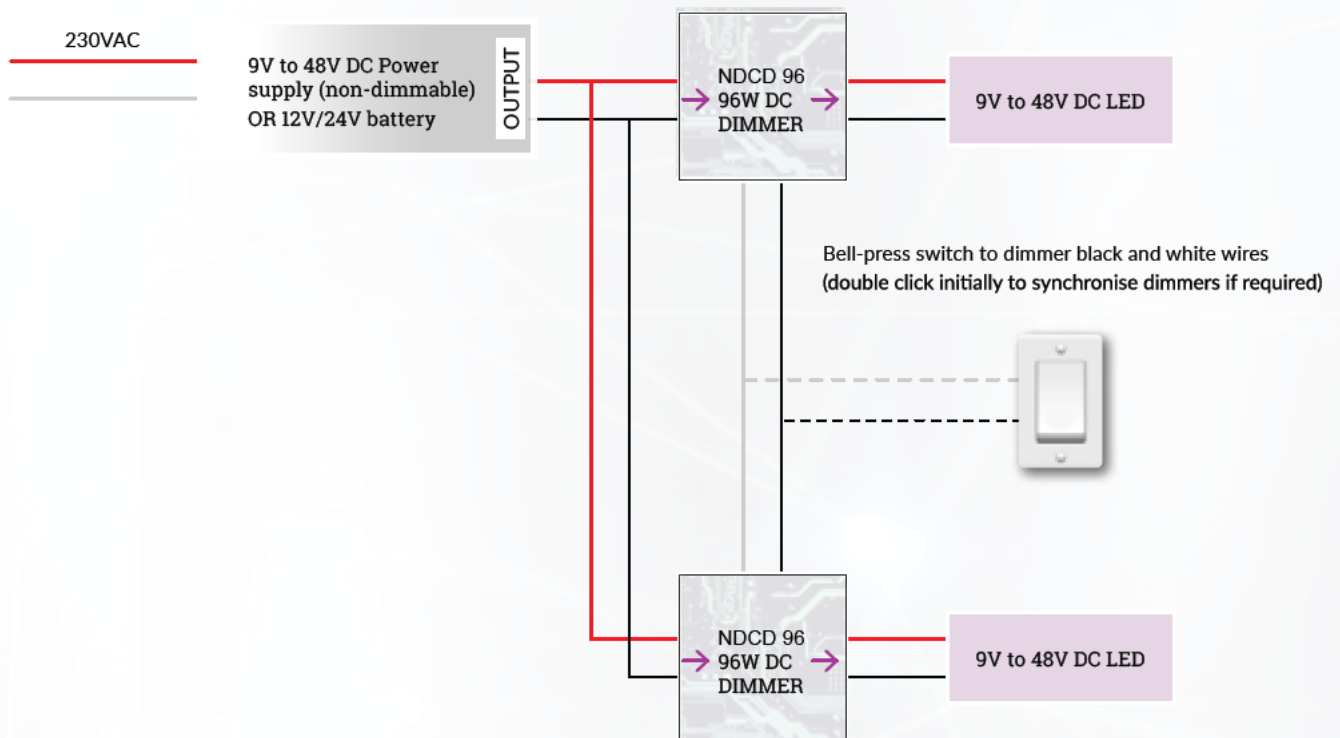
## WIRING DIAGRAMS continued

### Multiple dimmer installation

(master/slave operation - multiple dimmers per power supply)

Double click switch to synchronise dimmers and activate master/slave operation

Power supply inputs of dimmers may be connected together but LED outputs of dimmers, must never be connected together



### OPERATING AND PROGRAMMING INSTRUCTIONS

#### Turning the light on or off

Press and release the bell-press switch once to turn the dimmer (light) on or off. The dimmer will remember the last dim level (light intensity) where it was turned off and return to the same light level when turning on again.

If the bell-press switch is pressed and not released when turning the dimmer on, the dimmer will turn the light on to it's previous level when it was turned off, wait for 1.5 seconds to ensure that the startup conditions are met and then start to dim until the switch is released as is described below.

#### Dimming up or down

When the light is on, press the bell-press switch (do not release immediately, the dimmer will turn off). The light will dim either up or down, release the switch at the desired light level. Should the dimming direction be incorrect, release the bell-press switch momentarily and press and hold again, the dim direction will be reversed. This process can be repeated continuously should a very specific light level be desired.

If the bell-press switch is continuously pressed while the light is on, the light intensity will continuously cycle between minimum and maximum with a slight delay when maximum or minimum light intensity is reached (see diagram below). When the bell-press switch is released, the light level will remain at the intensity at the instance when the switch was released.

