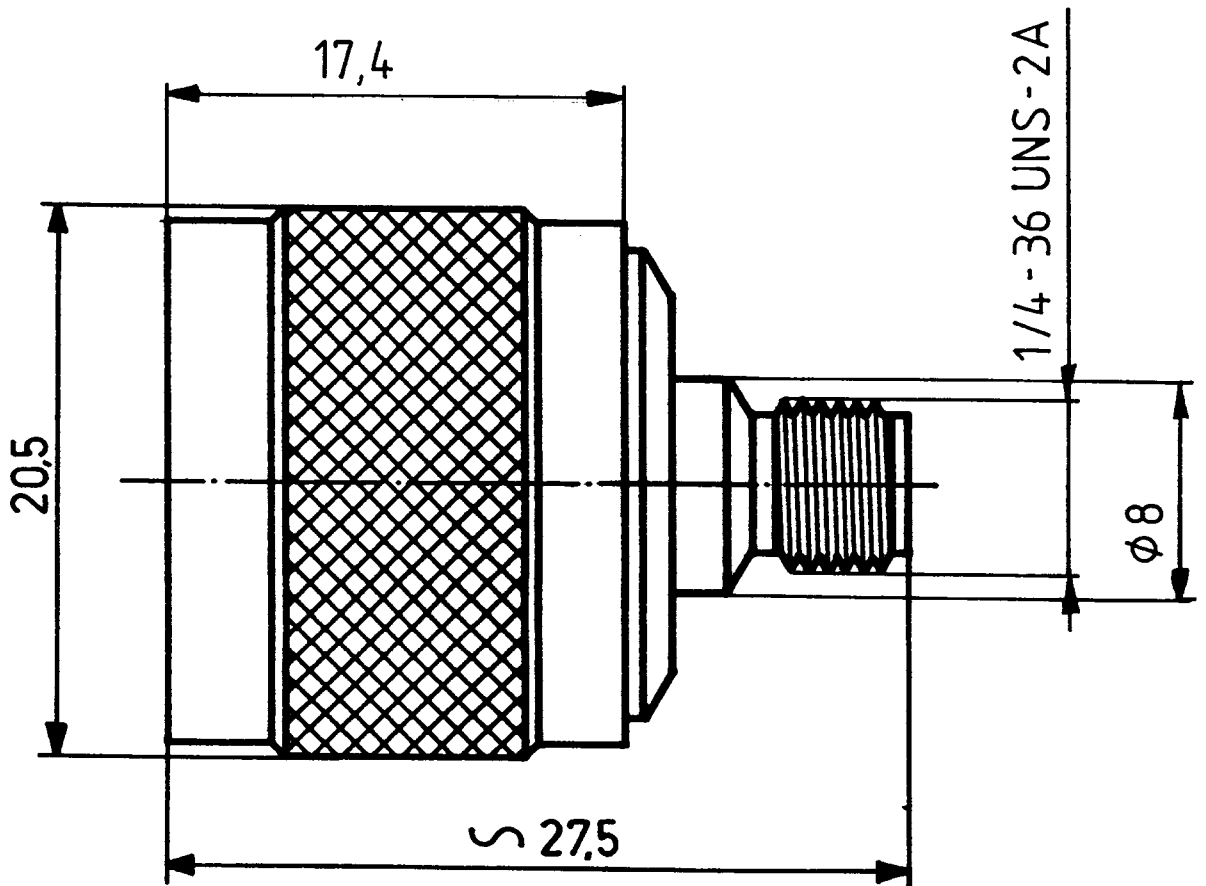


33N-SMA-50-1

3.8.90

Del Lamp



HUBER + SUHNER AG
9100 Herisau

4.13.19091 a