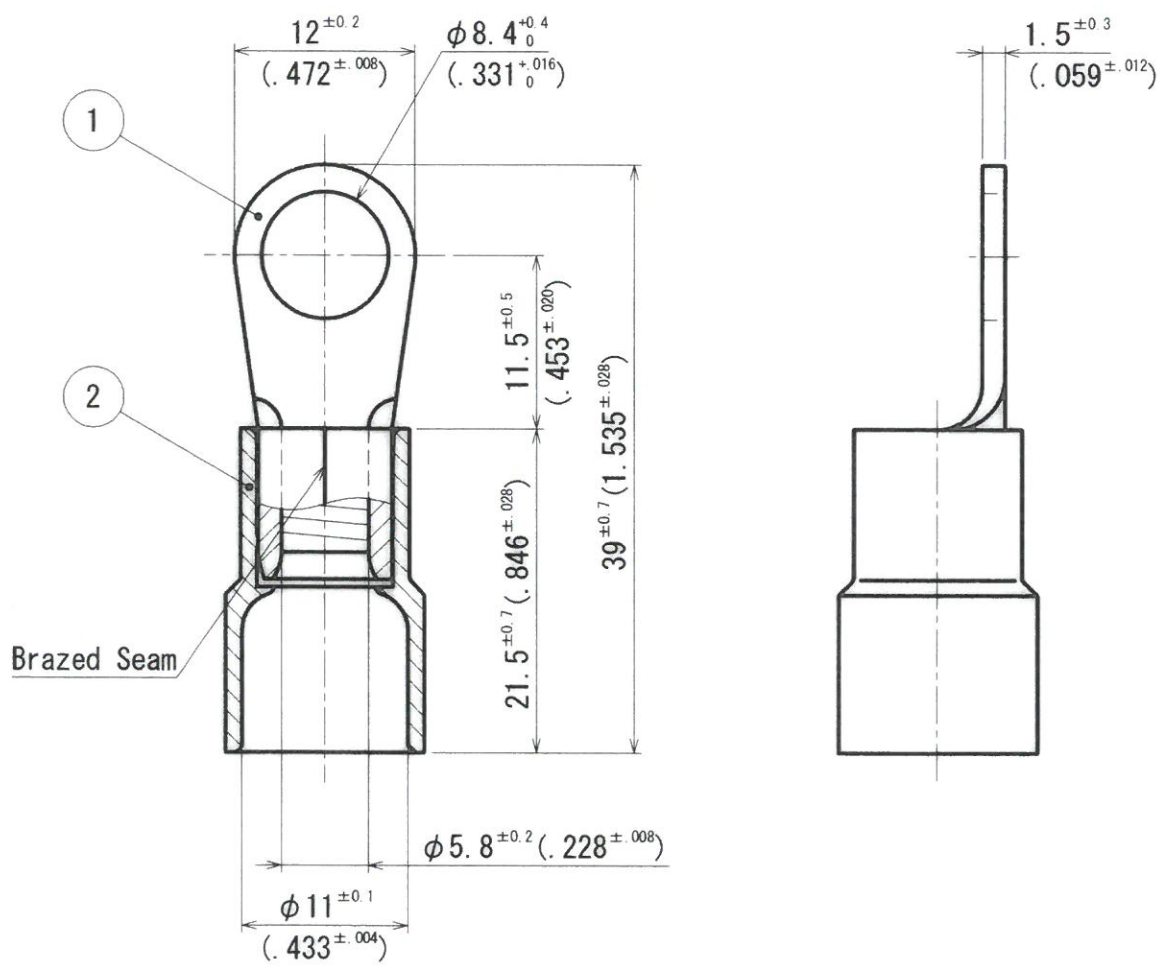


No.	Date	Revision Record	Drawn	Check
-----	------	-----------------	-------	-------



Note: Dimensions in mm
() dimensions in inches.

2	Insulator	Nylon		1			
1	Terminal	Copper	t=1.5 (.059)	1	Tin Plated	6AWG 10.52-16.78mm ²	
No.	Parts Name	Material	Thick	Q'ty	Treatment	Wire Size	

Messrs.					Part Number	TMEN 14-8S	
Scale	Approved	Checked	Design	Drawn	Title	Insulated Ring Terminal	
2					Drawing No.	05-01211-00	
1	K. Hamada	M. Nakazato	S. Teramoto	A. Kawaguchi	Revision No.	0	
Date		January 8, 2021			Revision No.		0