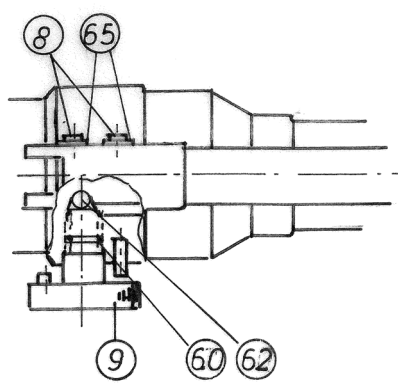
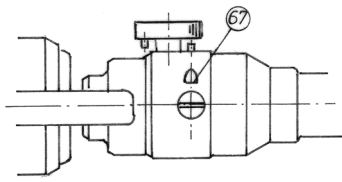
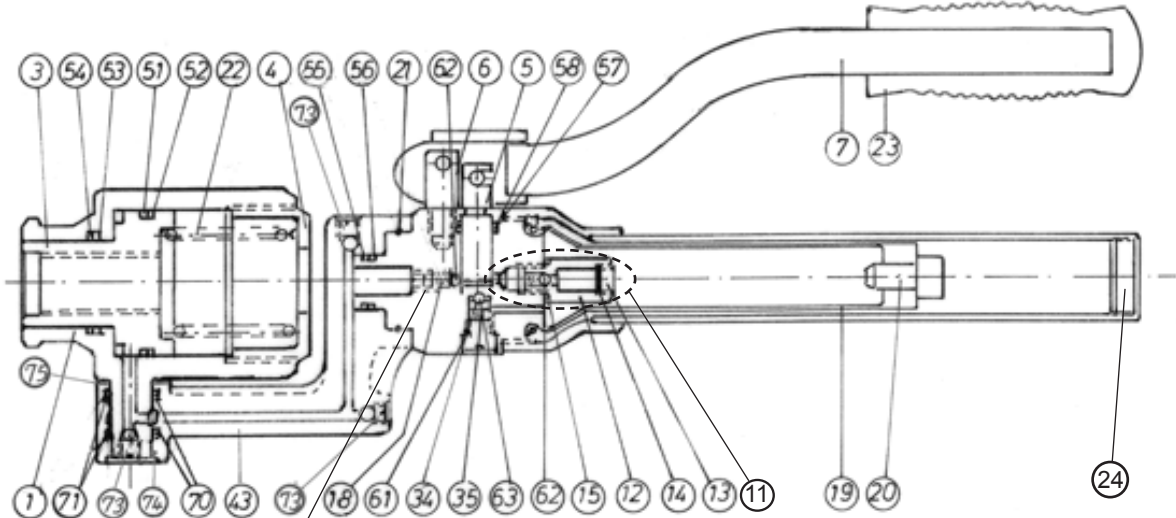


Parts List



Position	Designation	Unit	Article number	Price
1	Cylinder		2626-0601-00-01	
3	Cylinder Piston		2626-0303-01-01	
4	Cap		2624-0604-00-00	
5	Pump Piston		2624-0305-01-00	
6	Bearing Pin		2624-0306-00-00	
7	Hand Lever		2624-0307-00-00	
8	Axis		2624-0308-01-00	
9	Rewinding Screw		2624-0309-01-00	
11	Intake Manifold cpl.		2624-0311-00-00	
12	Intake Manifold		2624-0312-00-00	
13	Filter Screw		2624-0313-00-00	
14	Oil filter		2624-0314-00-00	
15	Seal		2621-0310-01-00	
16	Spring		2624-0316-00-00	
17	Threaded Pin hollow bored		2626-0377-00-00	
18	Spring		2624-0318-00-00	
19	Oil tank		2624-0319-00-00	
20	Plug		2624-0320-00-00	
21	Retaining spring		2624-0321-01-00	
22	Spring		2626-0601-21-02	
23	Rubber Handle		2624-0323-00-00	
24	Tube-End Cap		2624-0324-00-00	
34	Ball Holder		2624-0334-00-00	
35	Spring		2624-0335-00-00	
43	Arm		2626-0343-00-00	
51	O-shaped Ring		2624-0651-00-00	
52	Back-Up-Ring		2624-0652-00-00	
53	O-shaped Ring		2624-0653-00-00	
54	Back-Up-Ring		2624-0654-00-00	
55	O-shaped Ring		2624-0355-00-00	
56	Back-Up-Ring		2624-0356-00-00	
57	O-shaped Ring		2624-0357-00-00	
58	Back-Up-Ring		2624-0358-00-00	
60	O-shaped Ring		2624-0360-00-00	
61	O-shaped Ring		2624-0361-00-00	
62	Ball		2624-0362-00-00	
63	Ball		2624-0363-00-00	
65	Fuse		2624-0365-00-00	
67	Screw		2624-0367-00-00	
70	O-shaped Ring		2624-0355-00-00	
71	Back-Up-Ring		2624-0356-00-00	
73	Threaded Pin DIN 916-M6x6		2626-0373-00-00	
74	Locking Ring		2626-0374-00-00	
75	Shaft Washer		2626-0375-00-00	
76	Shaft Washer		2626-0376-00-00	

Subject to modifications
2626-0000-01-77



häwa GmbH
 Industriestraße 12
 D 88489 Wain
 Tel. +49 7353 98460
 Fax +49 7353 1050
 info@haewa.de
 www.haewa.de

D 08451 Crimmitschau

Sachsenweg 3
 Tel. +49 3762 95271/2
 Fax +49 3762 95278
 vertrieb.c@haewa.de

D 47167 Duisburg

Gewerbegebiet Neumühl
 Theodor-Heuss-Str. 128
 Tel. +49 203 346530
 Fax +49 203 589785
 vertrieb.d@haewa.de

D 63477 Maintal
 Dörnigheim

Carl-Zeiss-Straße 7
 Tel. +49 6181 493031
 Fax +49 6181 494003
 vertrieb.rm@haewa.de

A 4020 Linz

Schmachtl GmbH
 Pummererstraße 36
 Tel. +43 732 76460
 Fax: +43 732 785036
 office.linz@schmachtl.at

CH 8967 Widen

häwa (Schweiz) ag
 Gyrenstrasse 5a
 Tel. +41 43 3662222
 Fax +41 43 3662233
 info@haewa.ch

DK 6400 Sonderborg

Eegholm A/S
 Grundtvigs Allé 165 - 169
 Tel. +45 73 121212
 Fax: +4573 121213
 eegholm@eegholm.dk

E 48450 Etxebarri

häwa ibérica, s.l.
 Poligono Leguizamón
 Calle Guipuzcoa, Pab.9
 Tel. +34 944 269521
 Fax: +34 944 261087
 haewa@ctv.es

F 67140 Eichhoffen

häwa France Sarl
 8 B Rue des Industries
 Tel. +33 3 88088880
 Fax: +33 3 88088859
 info@haewa.fr

I 88489 Wain

häwa Italia
 Industriestraße 12
 Tel. +49 7353 9846115
 Fax +49 7353 1050
 info@haewa.it

NL 7500 AC Enschede

häwa Nederland B.V.
 Postbus 136
 Tel. +31 53 4321835
 Fax +31 53 4303414
 info@haewa.nl

SE 88489 Wain

häwa Schweden
 Industriestraße 12
 Tel. +49 7353 98460
 Fax +49 7353 1050
 info@haewa.se

SE 192 79 Sollentua
 (only for tools)

Nelco Contact AB
 Bergkällvägen 29
 Tel. + 46 8 7547040
 Fax +46 8 7548051
 info@nelco.se

USA Duluth, GA 30097

häwa Corporation
 3764 Peachtree Crest Drive
 Tel. +1 770 9213272
 Fax +1 770 9212896
 info@haewa.com

RUS 88489 Wain

häwa Russland
 Industriestraße 12
 Tel. +49 7353 9846 169
 Fax +49 7353 1050
 edgar.getz@haewa.de



SCHRANKSYSTEME



X-FRAME



GEHÄUSE



ZUBEHÖR



THERMOKOMPONENTEN



LEITUNGSKANÄLE



SONDERBAUTEN



WERKZEUGE