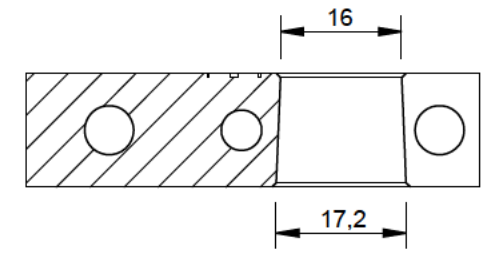
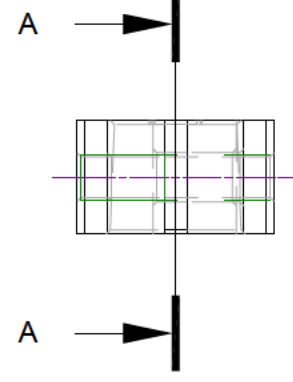
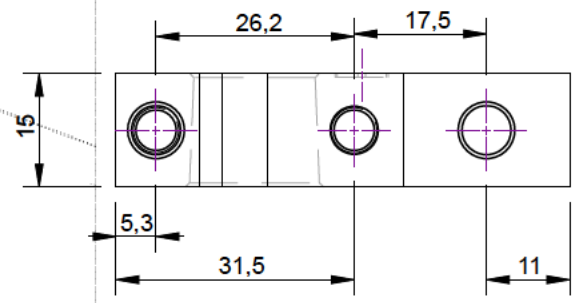


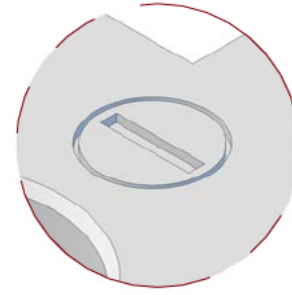
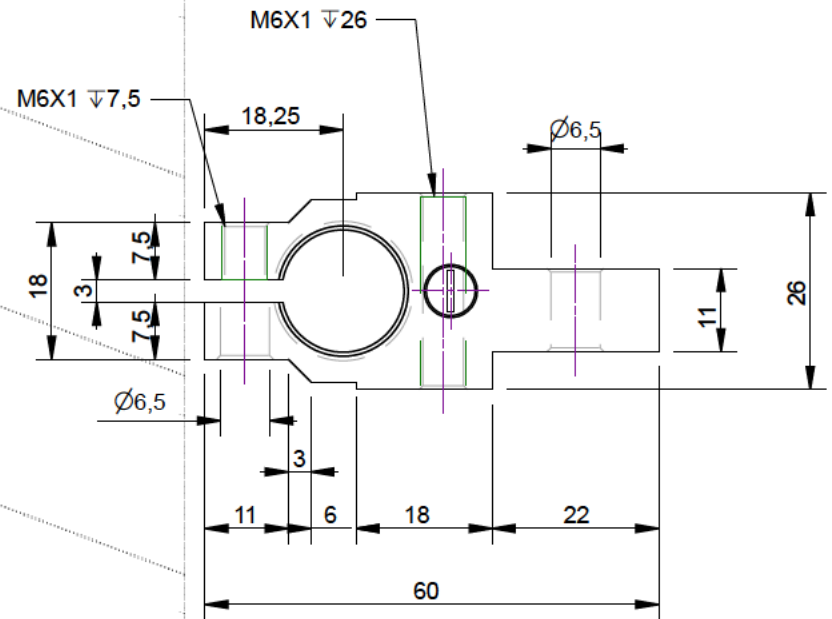
1	2	3	4	5	6
		RevNo	Revision note	Date	Signature
					Checked

A

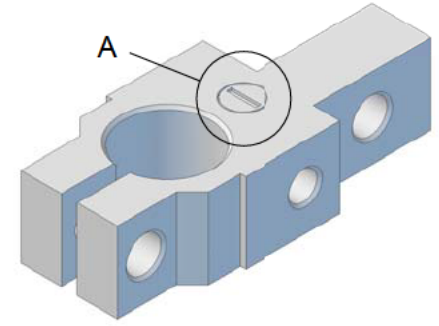


Section A-A

B




Detail A

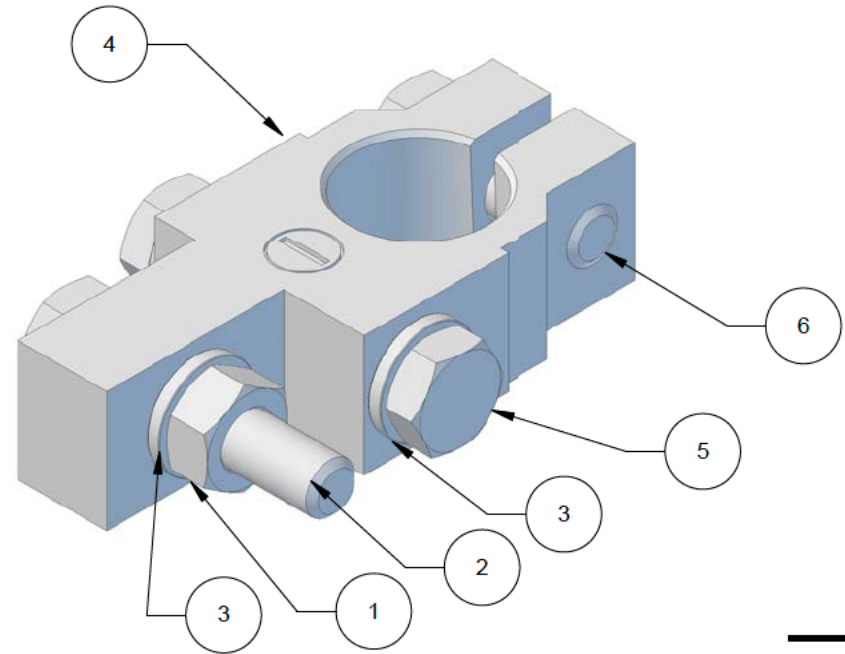
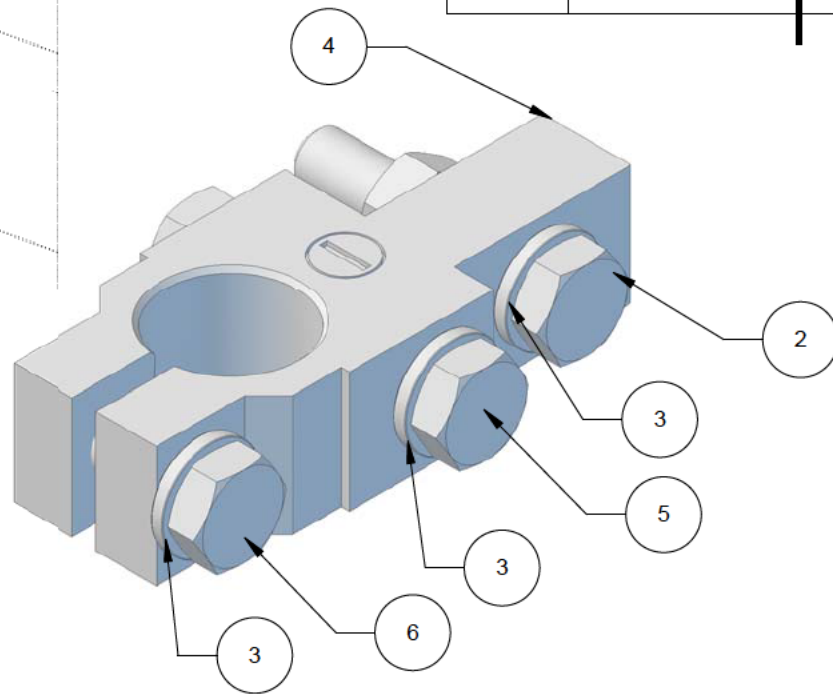


C


D

Itemref	Quantity	Material: Tinned brass	Article No./Reference		
					Scale 1:1
 Electrical solutions			Battery terminal - 50mm ²		
			Art. no: BTMC 2550 M TP	Edition 1	Sheet 1 / 3

1	2	3	4	5	6
RevNo		Revision note		Date	Signature
					Checked



Item Number	Quantity	Part Number	Part Name	Revision	Comment
1	1		M6 nut stainless		M6X1
2	1		M6X30 stainless steel bolt		M6X1
3	5		M6X12 washer stainless		
4	1		5031253		
5	2		M6X12 stainless steel bolt		M6X1
6	1		M6X20 stainless steel bolt		M6X1

Itemref	Quantity	Material: Tinnes brass		Article No./Reference	
					Scale 1,5:1
			Battery terminal - 50mm2		
			Art. no: BTMC 2550 M TP		Edition 1

1

2

3

4

5

6

RevNo Revision note

Date

Signature

Checked

A

B

C

D

A

B

C

D



Install the bolts, washers and nuts, exactly as the picture shows

NECORETM
Electrical solutions

Edition
1

Sheet
3 / 3

1

2

3

4

5

6