

3M™ Scotchlok® 314

Self-Stripping Moisture Resistant, Electrical Pigtail Connector

1. Product description

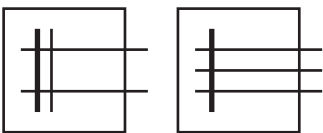
3M™ Scotchlok® 314 Electrical Pigtail Connector electrically connects two or three wire ends, insulates the connection and provides an additional moisture-resistant¹ sealing in junction or distribution boxes and other protected connections with a higher needed sealing level for electrical connections (up to IPx8).

2. Applications

0.5-1.5 mm² solid or stranded, tinned or untinned (22-14 AWG) copper conductors. For use with common thermoplastic insulated wires: T, TF, TFF, TFN, TFFN, AWM, TEW, SAE-GPT with a maximum insulation diameter of 3.8 mm (0.150 inches).

Maximum recommended current for general purpose applications acc. EN 60998-2-3:

Cross section	Max. current
0.5 mm ²	6 A
1.5 mm ²	17.5 A



Pigtail connector



3. Typical properties

Physical properties	Typical value
U-Contact:	Tin-plated brass, 0.5 mm thick (0.02 inch) thick
Insulator:	Flame-retardant nylon
Colour:	cap/dk. Blue, body/white
Sealant:	Mineral Oil Base EG-3 grease

4. User information

4.1 Specifications

Weight: 3.49 g

4.2 Engineering/architectural specification

Self-Stripping Electrical Connector (as manufactured by 3M, part No. 314) can connect 2 or 3 wires in the range of 0.5 mm² up to 1.5 mm² (No.22 AWG through No.14 AWG) solid or stranded copper wire in a pigtail application while insulating the connection. The VDE approval and certification acc EN 60998-2-3 provides IPX8 (1m, 2 hours) temporary waterproof sealing, voltage range 600 V and temperature class T40 (acc. EN60998-2-3).

Connector is UL Listed wire connector and CSA Certified for 600 volts maximum, building wire: 1000 volts maximum, signs, fixtures and luminaires, and temperature rated 105°C maximum (acc. UL 486C and C22.2 No. 0. 188-MI983)

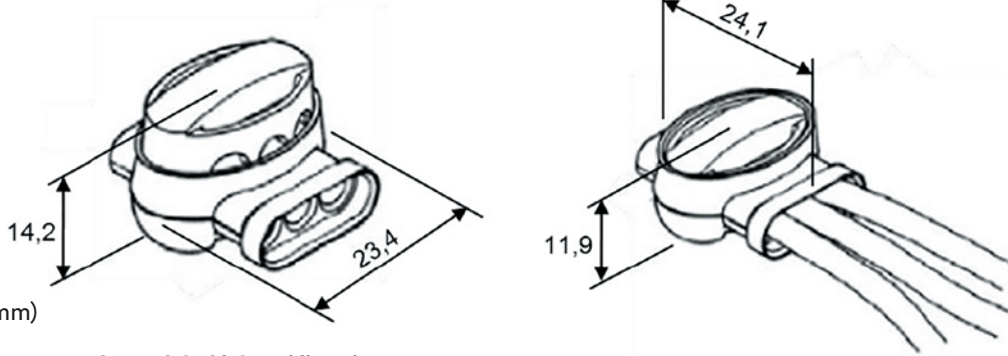
4.3 Recommended installation tool

Mechanics (slip joint) pliers.

4.4 Installation techniques

WARNING Turn power off before installing or removing terminal. All electrical work should be done according to appropriate electrical codes.

1. Insert 2 or 3 unstripped wires completely into the connector and check their position by looking through the translucent connector body.
2. Hold the tool perpendicular to the wires and make the connection by driving the cap down flush with the top edge of the connector body.



(Dimensions: mm)

4.5 Agency Approvals and Self Certifications

- ▶ UL Listed, Standard 486C, UL File E23438
- ▶ CSA certified - CSA Std. C22.2 No. 0. 188-MI983, CSA File No. LR15503

Voltage rated 600 volts maximum, building wire: 1000 volts maximum, signs, fixtures and luminaires, and temperature rated 105°C maximum.

Note: UL Listed and CSA Certified for AWG only.

- ▶ VDE approval File No. 40051294 acc. EN 60998-2-3 up to 600V and max temperature T40
- ▶ IPx8 (International Degree of Protection) temporary waterproof sealing (1m, 2 hours)

Note: VDE Listed and Certified for mm² range.

For mechanical protection an additional housing is mandatory.



4.6 Shelf Life and Storage

This product has a 5-year shelf life from date of manufacture when stored in a humidity controlled area (10°C to 27°C and <75% relative humidity).

5. Additional information

To request additional product information, see address below.

Important notice

All statements, technical information and recommendations contained in this document are based upon tests or experience that 3M believes are reliable. However, many factors beyond 3M’s control can affect the use and performance of a 3M product in a particular application, including the conditions under which the product is used and the time and environmental conditions in which the product is expected to perform. Since these factors are uniquely within the user’s knowledge and control, it is essential that the user evaluates the 3M product to determine whether it is fit for a particular purpose and suitable for the user’s method or application.

Values presented have been determined by standard test methods and are average values not meant to be used for specification purposes.

All questions of warranty and liability relating to 3M products are governed by the terms of the respective sale subject, where applicable, to the prevailing law.

Electrical Markets Division

3M Deutschland GmbH
 Carl-Schurz-Str.1
 41453 Neuss
 Germany

Reference: AABDD51044#EN_03
 Issue date: 15.12.2020 – Supersedes 09.07.2020

Please recycle. © 3M 2021. 3M and Scotchlok are trademarks of 3M Company. All rights reserved. OMG100100

